

SELF ADHESIVE LABELS - Order Form

BLACKBURN RUBBER STAMPS Pty Ltd

ABN: 97 095 517 016

100A Canterbury Road, Blackburn South, Victoria 3130


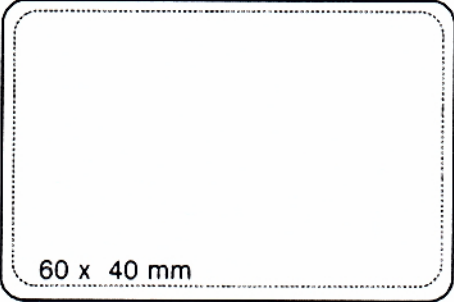

P.O Box 180, Blackburn South, Victoria 3130

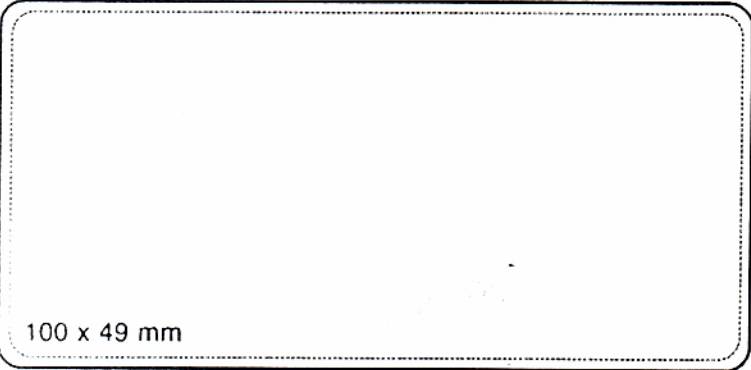

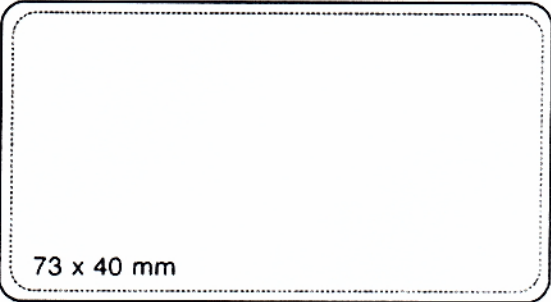
P: 03 9878 0637

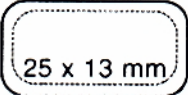

F: 03 9877 7724

E: brstamps@bigpond.com

W: www.rubstamps.com.au

 <p>80 x 19 mm</p>	 <p>60 x 40 mm</p>	<p>QTY PRICE</p> <p>500 \$58.00</p> <p>1000 \$88.00</p> <p>2000 \$143.00</p>
 <p>58 x 25 mm</p>		

 <p>100 x 49 mm</p>	<p>QTY PRICE</p> <p>500 \$72.00</p> <p>1000 \$116.00</p> <p>2000 \$170.00</p>
 <p>90 x 28 mm</p>	 <p>73 x 40 mm</p>

<p>QTY PRICE</p> <p>500 \$36.00</p> <p>1000 \$51.00</p> <p>2000 \$71.00</p>	 <p>25 x 13 mm</p>
	 <p>45 x 17 mm</p>

PLEASE TICK BOX - QUANTITY & COLOUR

<input type="checkbox"/> 500	<input type="checkbox"/> RED
<input type="checkbox"/> 1000	<input type="checkbox"/> BLUE
<input type="checkbox"/> 2000	<input type="checkbox"/> BLACK

DETAILS

LABEL SIZE
